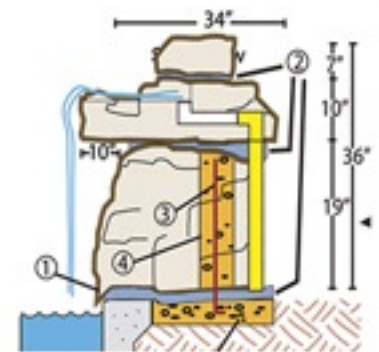
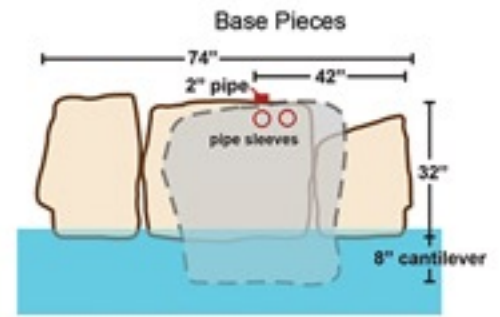
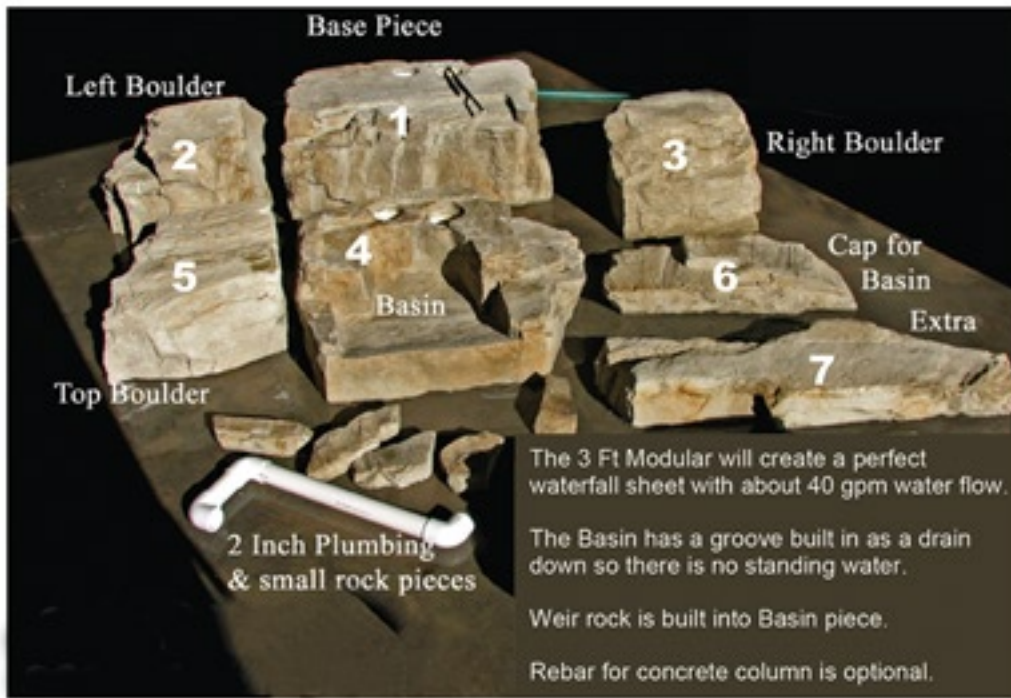


3 Foot Modular Modified 2015



Modular means you can move rocks around as needed.

The 3 Ft Modular is a good choice for the smallest of the fiberglass slides like Inter-Fab 7 Ft Model or Dolphin 10 Ft Model shown right.



Waterfall pad for 3 Ft. Modular should be 7 feet wide, 30" front to back.



Base piece weighs 150 - 200 lbs. Use thick mortar bed.



Fill concrete column with concrete.



Set side boulders & mortar gap with base piece.



Set basin on 3/4" mortar bed. Level from left to right. Match up plumbing & concrete holes.



Drop plumbing sleeve in hole. Tighten threaded plug if you plan to pressure test line.



Connect plumbing at back of base piece. Hide pipe with long hollow piece (cut to fit.)



Mortar cap rocks. Clean excess mortar & rake joints about 1/2 inch.